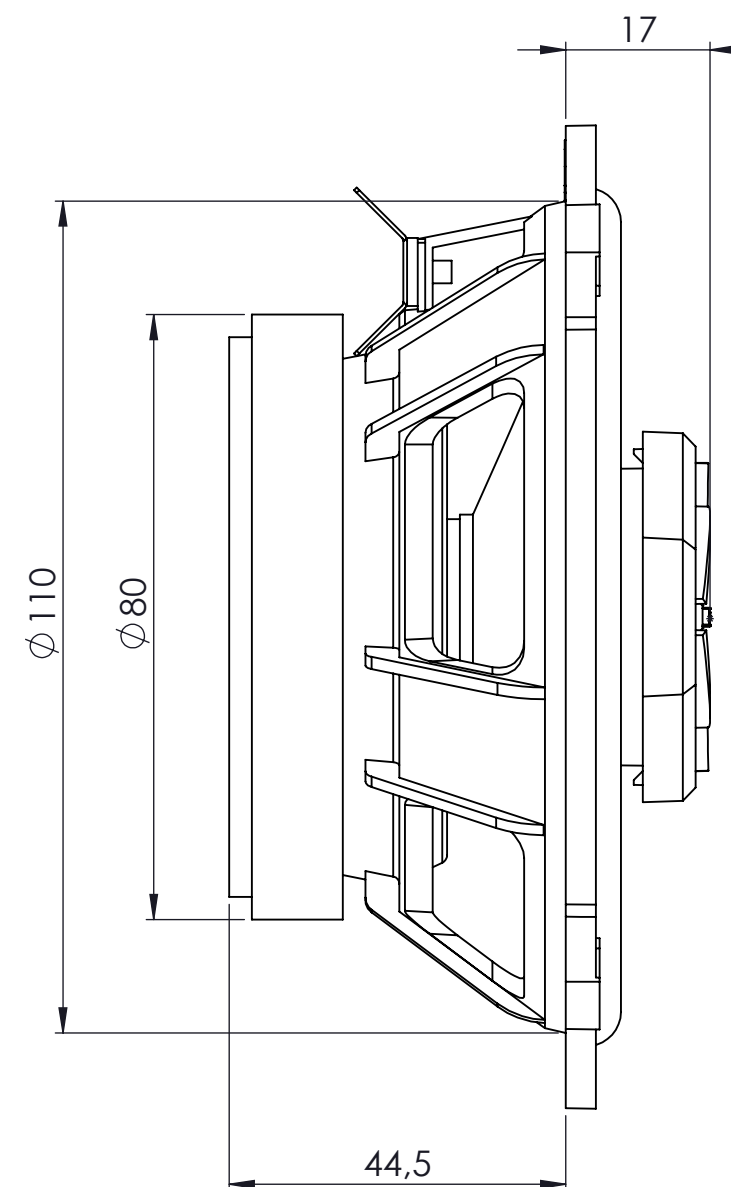
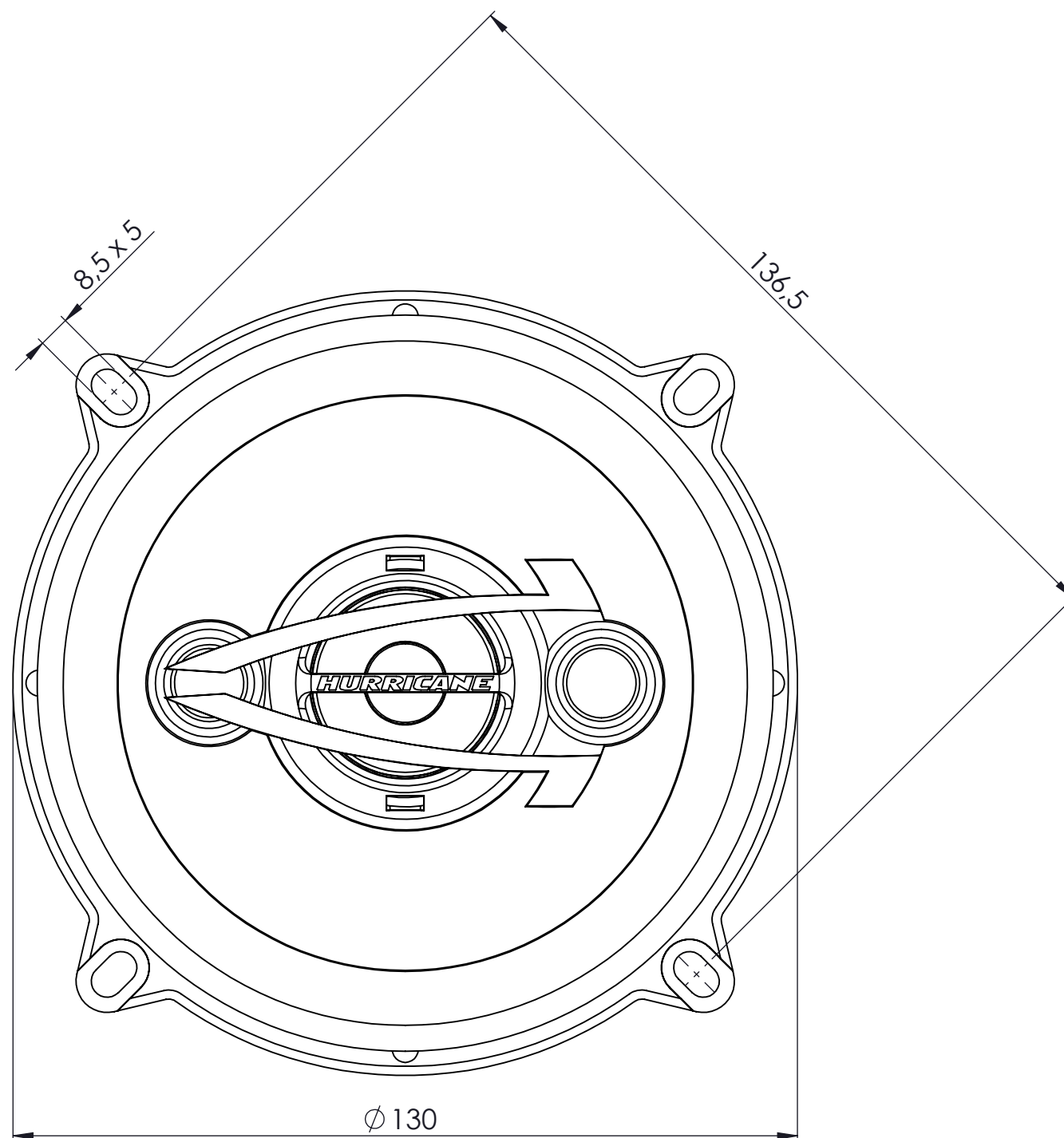



REVISÃO
REVIEW

APR

1



DESENHO P/ EMBALAGEM

		ACABAMENTO:		COR: -		REF: QR 5															
		MATERIAL		TÍTULO																	
DES. K. GAMA PROJ. VERIF. MANUF. QUALID.		ASSINATURA	DATA 06/12/2022	UNESPECIFIED TOLERANCES X=Dimensão Nominal Nominal Dimension				AF QUADRIAXIAL QR5 (NEW)													
				<table border="1"> <tr> <td>X</td> <td>5</td> <td>±0.1</td> </tr> <tr> <td>5 < X</td> <td>20</td> <td>±0.2</td> </tr> <tr> <td>20 < X</td> <td>70</td> <td>±0.3</td> </tr> <tr> <td>70 < X</td> <td>250</td> <td>±0.4</td> </tr> <tr> <td>250 < X</td> <td></td> <td>±0.6</td> </tr> </table>		X	5		±0.1	5 < X	20	±0.2	20 < X	70	±0.3	70 < X	250	±0.4	250 < X		±0.6
X	5	±0.1																			
5 < X	20	±0.2																			
20 < X	70	±0.3																			
70 < X	250	±0.4																			
250 < X		±0.6																			
		MEDIDAS EM (mm) DEGREE ±1°		PESO 589.34 g		ESCALA 1:1 FOLHA 1 DE 1															

A3